

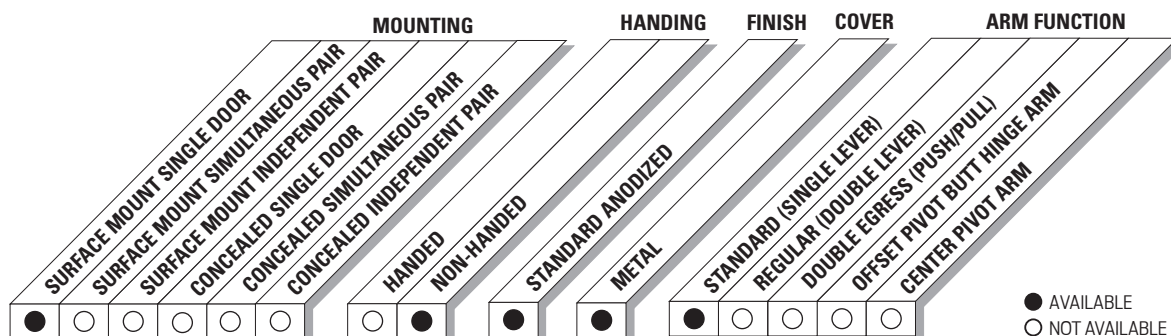
The 9130 BENCHMARK by LCN is an electrically powered low-energy operator. It provides easy access for people with disabilities, or the elderly. Designed primarily for automatic opening applications that occasionally require manual opening. The BENCHMARK is a cost-effective solution for retrofitting an activated or manual door.

Certifications	Grade 1 - A156.19, UL325, ADA, 100 Hour Salt Spray, Meets BAA - Buy American Act
Handing	Non-Handed
Door Width	<ul style="list-style-type: none"> ■ 30" - 48" ■ 30" minimum door width for 27" ■ 36" door width only for full length pull operator
Warranty	2 years

Cover	<ul style="list-style-type: none"> ■ Metal 27", standard ■ Metal 36", optional
Fasteners	Wood and machine screws
Mounting	Single interior door, surface mount, offset pivot / butt hinge (Pull Side)
Arms	Standard arm and track
Finishes/Colors/ Powder Coat	<ul style="list-style-type: none"> ■ Anodized aluminum, standard ■ Dark bronze, optional

**Special
Templates**

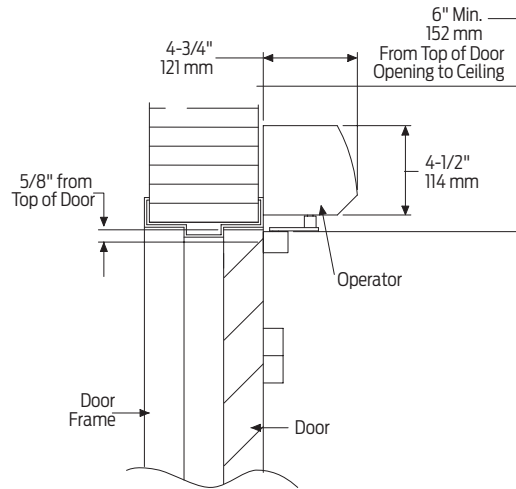
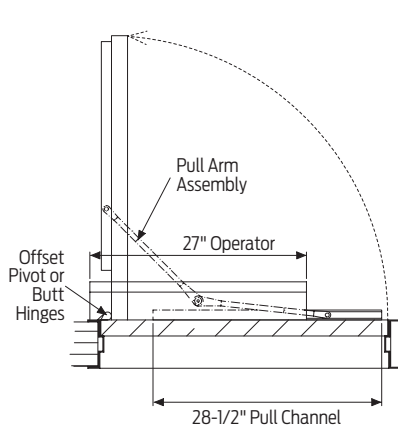
Customized installation templates or products may be available to solve unusual applications. Contact LCN Product Support for assistance.



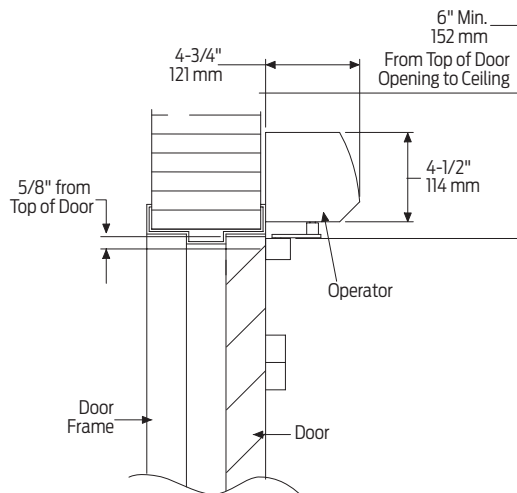
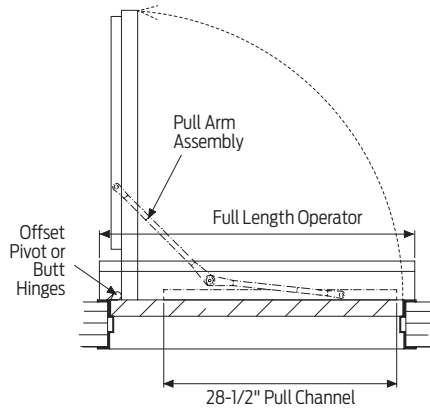
9130 Series Benchmark

Mounting details

Top Jamb Single Door Mounting



Offset/butt hinge, center pivot, pull, standard cover



Offset/butt hinge, center pivot, pull, full cover

Butt Hinges	Should not exceed 5" (127 mm) in width
Reveal	Should not exceed 1/8" (3 mm)
Head Frame	Minimum 2" (51 mm)
Top Rail	Minimum 2" (51 mm)
Opening and Closing Time	<ul style="list-style-type: none"> Variable by adjustments to the electronic control module located on the operator assembly Maximum hold open time adjustable up to approximately 30 seconds
System Diagram	See "AUTOMATIC OPERATORS" section page 51 for typical system wiring and page 53 for electrical data
Maximum Opening	Template allows 90 degree power opening and 90 degree manual opening

Notes:

- Push 'N Go permits non-switch activation with a microprocessor control box that ensures reliability and maintains customer settings
- Power boost allows for increased closing force near latch
- On/off switch is included as standard
- All potentiometers are clearly labeled with their functions
- LED lights indicate power to control box and motor gearbox

Motor Gearbox



9130-3454S
Motor Gearbox Assembly

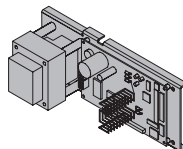
- Driving mechanism for operator (switch included)
- For 27" unit



9130-3454
Motor Gearbox Assembly (W/O Switch)

- Driving mechanism for operator (switch not included)
- For full length 36" unit

Control Box



9130-3462
Control Box (120v)

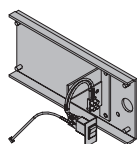
- Electronic controlling device with power supply output and power boost feature for Benchmark

Brackets



9130-3018
Mounting Bracket

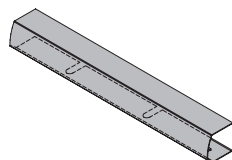
- Standard



9130-3351-2
Switch Bracket

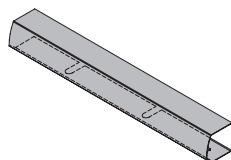
- 41" cable
- Bracket used to locate switch at end of cover on full length unit

Covers



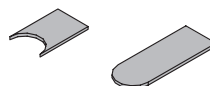
9130-72MC
Metal Cover

- Non-handed
- 27"
- Extruded aluminum
- Standard



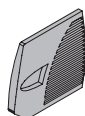
9130-72FC
Full Metal Cover

- Non-handed
- 36"
- Extruded aluminum



9130-163
Cover Insert

- Used to cover operator shaft opening (includes 2 pieces)



9130-163-1
Cover End Cap Insert

- Used to cover switch hole opening



9130-334
Cover End Cap

- Black plastic
- Includes 9130-163-1 cover and cap insert

9130 Series Benchmark

Accessories

Tracks



9130-3038
Standard Track

- Non-handed
- Standard



9130-73
Track End Cap

- Black plastic



9130-3034
Roller Assembly

- Quiet low friction

Arms



9130-3077T
Standard Arm

- Non-handed
- Track roller not included



9130-3077PLCM
Standard Arm

- Non-handed
- Standard non-handed track

How-to-order 9130 Series closers

Specify Finish

- Standard Anodized Finish _____
Aluminum or Dark Bronze

Operator options

Cover

- 36" Full Cover

Operator will be shipped with:

- Standard motor gearbox
- Standard control box
- Mounting bracket
- 27" metal cover
- Standard arm (3077t)
- Standard track w/track roller
- Wood and machine screw pack
unless options listed below are selected

Table of sizes



→ Indicates recommended range of door width for operator.

*NOTE: For All Benchmark Series.
30" minimum door width for 27" pull operator.
36" door width only for full length pull operator.*